

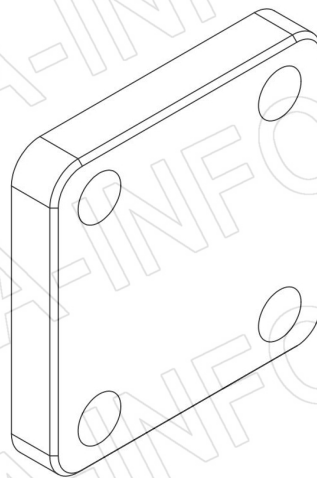
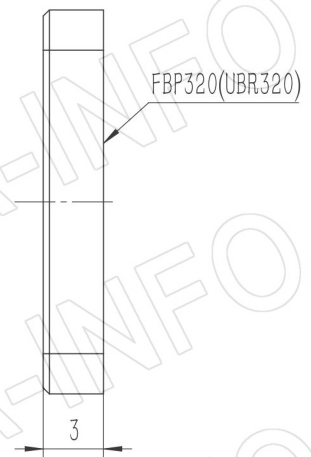
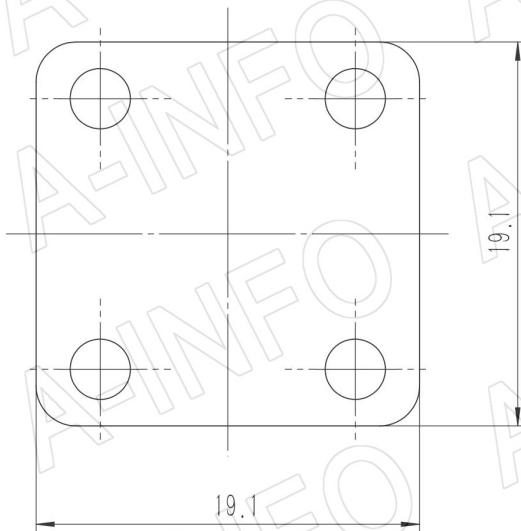
For reference only. See data sheet for the detailed specifications.

Technical Specification

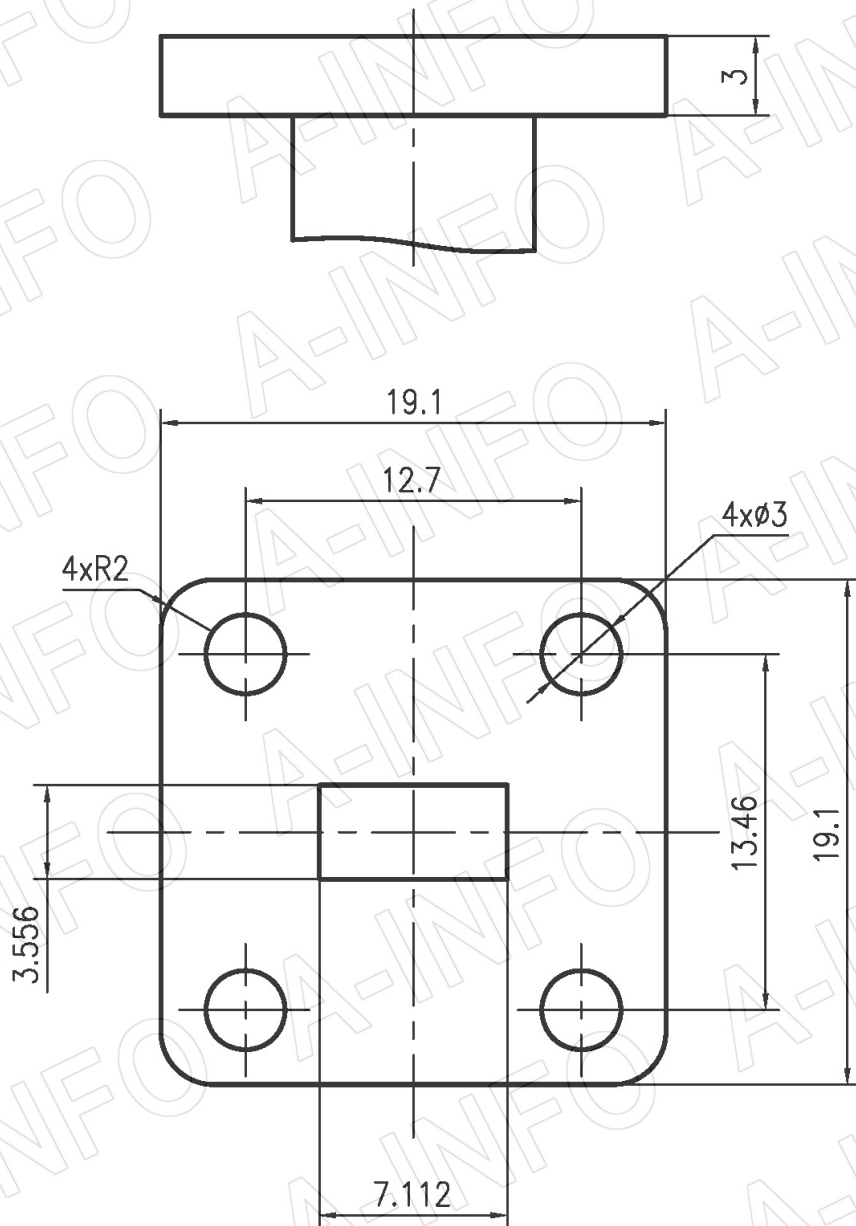


EIA WR	WR28
Freq. Range(GHz)	26.5 – 40.0
Thickness(mm)	3
Flange	FBP320(UBR320)
Material	Cu
Size(mm)	3 x 19.1 x 19.1
Net Weight(Kg)	0.01 Around

Outline Drawing (Size: mm)



Flange Drawing (Size: mm)



FBP320

AINFO Inc.

Page 2 of 2

China(Beijing): Tel: (+86) 10-6266-7326,
China(Chengdu): Tel: (+86) 28-8519-2786,
USA: Tel: (+1) 949-639-9688,

(+86) 10-6266-7327 Fax: (+86) 10-6266-7379
(+86) 28-8519-3044 Fax: (+86) 28-8519-3068
(+1) 949-639-9608 Fax: (+1) 949-639-9670

Website: www.ainfoinc.com
Email: sales@ainfoinc.com